

Product technical sheet

ROBINIA RB1311



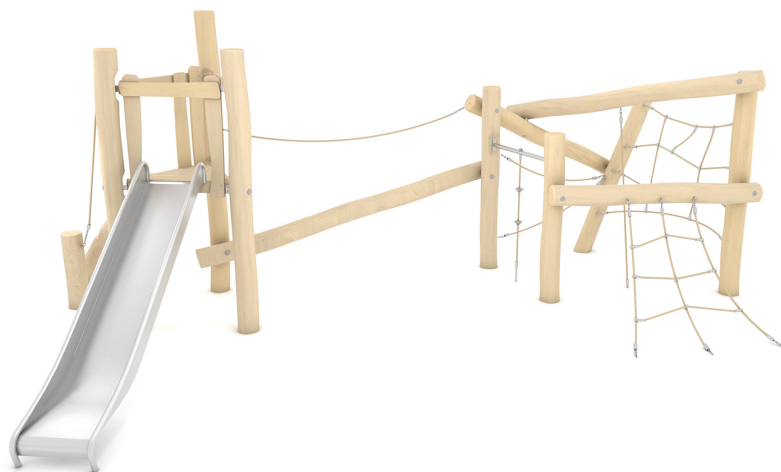
3 - 14 years



18 kids



50,8 m²



Material specification

- Construction made of Robinia - very durable acacia wood with a diameter of ~ 18 cm without sharp edges, resistant to weather conditions,
- Platforms made of Robinia - very durable acacia wood, resistant to weather conditions,
- Side panels made of Robinia - very durable acacia wood without sharp edges, resistant to weather conditions
- Slides made of stainless steel,
- Steel ropes in polypropylene braid, connected with durable aluminum, stainless steel and/or plastic elements,
- Calibrated stainless steel chains, preventing fingers entrapment,
- Stainless steel bars,
- Screws covered with plastic caps and/or stainless steel screws,



Physical development



balance



sliding



pull-up



community



passage



climbing



1
number of towers



1
number of slides



7
number of activity elements

Product technical sheet

ROBINIA RB1311

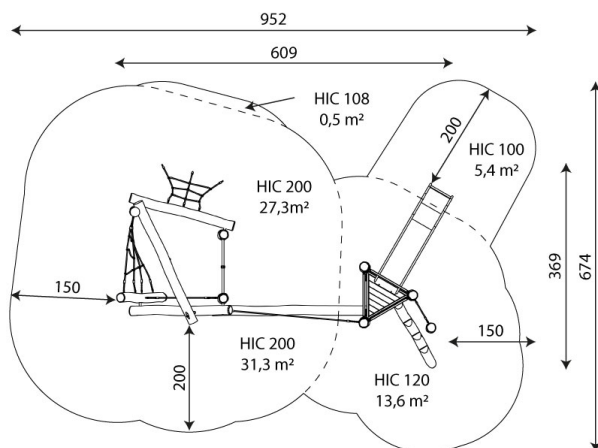
Product data

| | |
|--------------------------------|---------------------|
| Length | 609 cm |
| Width | 369 cm |
| Total height | 250 cm |
| Age group | 3 - 14 years |
| Number of users | 18 kids |
| Safety zone | 50,8 m ² |
| Free fall height | 200 cm |
| The height of the platforms | 120 cm |
| In accordance with norm EN | 1176-1:2017 |
| Weight of the heaviest part | 69 kg |
| Dimensions of the largest part | 300x18x18 cm |
| Availability of spare parts | YES |
| Installation time | 8 h |

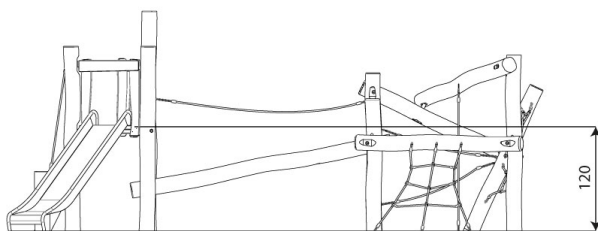
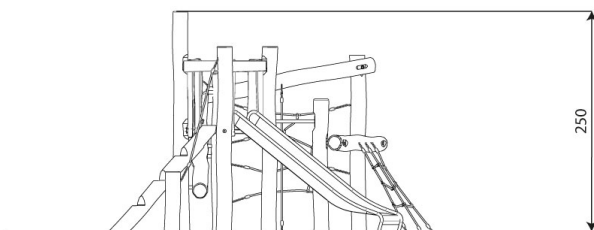
Data is subject to change without prior notice.

Additional information

- equipment intended for public playgrounds;
- equipment has a certificate issued by an accredited entity or a declaration of conformity;
- no sharp edges or chinks that would pose a danger of jimmieing the head, fingers or any other body parts;
- anchoring on flat surface, 80/70/60 cm deep;
- slide should not be installed southwards;
- render is for reference only, the actual appearance of the equipment and its color may vary;



50,8 m²



Guarantee

30

30 year guarantee - Structural strength of steel and stainless steel components

15

15 year guarantee - Structural failure of steel and stainless steel, for dynamic equipment

10

10 year guarantee - Structural failure of high density polyethylene and high pressure laminates components

5

5 year guarantee - Corrosion of stainless steel and hot dip galvanized and powder coated components; against bark beetles and rot in case of wooden structural elements

Detailed information in the guarantee card



33 3122 0018
www.parc.mx

ventas@parc.mx
Guadalajara, JAL

Vinci Group Sp. z o.o.
Seminarnyjna 9 Street
99-400 Łowicz

21/07/2022

VAT: 534-250-14-46
PHONE: +48 42 203 24 99 ext. 26
M: +48 793 404 991

biuro@vinci-play.com
info@vinci-play.com
www.vinci-play.com

Surfaces according to EN 1176-1:2017

| | Description (mm) | Layer thickness (cm) | Maximum fall heights (cm) |
|---------------------------------|------------------------------|----------------------|---------------------------|
| Turf/ top layer of soil (A,B,C) | - | - | ≤100 |
| bark (A,C) | Particle size from 20 to 80 | 30 | ≤200 |
| | | 40 | ≤300 |
| woodchips (A,C) | Particle size from 5 to 30 | 30 | ≤200 |
| | | 40 | ≤300 |
| sand or gravel (A,C) | Particle size from 0,25 to 8 | 30 | ≤200 |
| | | 40 | ≤300 |
| synthetic attested (A,B,C) | Tested according to EN 1177 | | 200 |

Product technical sheet

ROBINIA RB1311

Amount of safe surface corresponding with free fall height:

| | |
|---------|---------------------|
| HIC 100 | 5,4 m ² |
| HIC 108 | 0,5 m ² |
| HIC 120 | 13,6 m ² |
| HIC 200 | 31,3 m ² |

Data is subject to change without prior notice.

